

Circuits from the Lab™
Reference Circuits

Circuits from the Lab™ reference circuits are engineered and tested for quick and easy system integration to help solve today's analog, mixed-signal, and RF design challenges. For more information and/or support, visit www.analog.com/CN0178.

Devices Connected/Referenced

ADL5902	50 MHz to 9 GHz, 65 dB TruPwr™ Detector
AD7466	Micropower, 12-Bit, 200 kSPS SAR ADC

Software-Calibrated, 50 MHz to 9 GHz, RF Power Measurement System

EVALUATION AND DESIGN SUPPORT

Circuit Evaluation Boards

[CN-0178 Circuit Evaluation Board \(EVAL-CN0178-SDPZ\)](#)
[System Demonstration Platform \(EVAL-SDP-CB1Z\)](#)

Design and Integration Files

[Schematics](#), [Layout Files](#), [Bill of Materials](#)

CIRCUIT FUNCTION AND BENEFITS

This circuit uses the ADL5902 TruPwr™ detector to measure the rms signal strength of RF signals with varying crest factors (peak-to-average ratio) over a dynamic range of approximately 65 dB and operates at frequencies from 50 MHz up to 9 GHz.

The measurement result is provided as serial data at the output of a 12-bit ADC (AD7466). A simple 4-point system calibration at ambient temperature is performed in the digital domain.

The interface between the RF detector and the ADC is straightforward, consisting of two signal scaling resistors and no active components. In addition, the ADL5902 internal 2.3 V reference voltage provides the supply and reference voltage for the micropower ADC. The AD7466 has no pipeline delay and is operated as a read-only SAR ADC.

The overall circuit achieves temperature stability of approximately ± 0.5 dB.

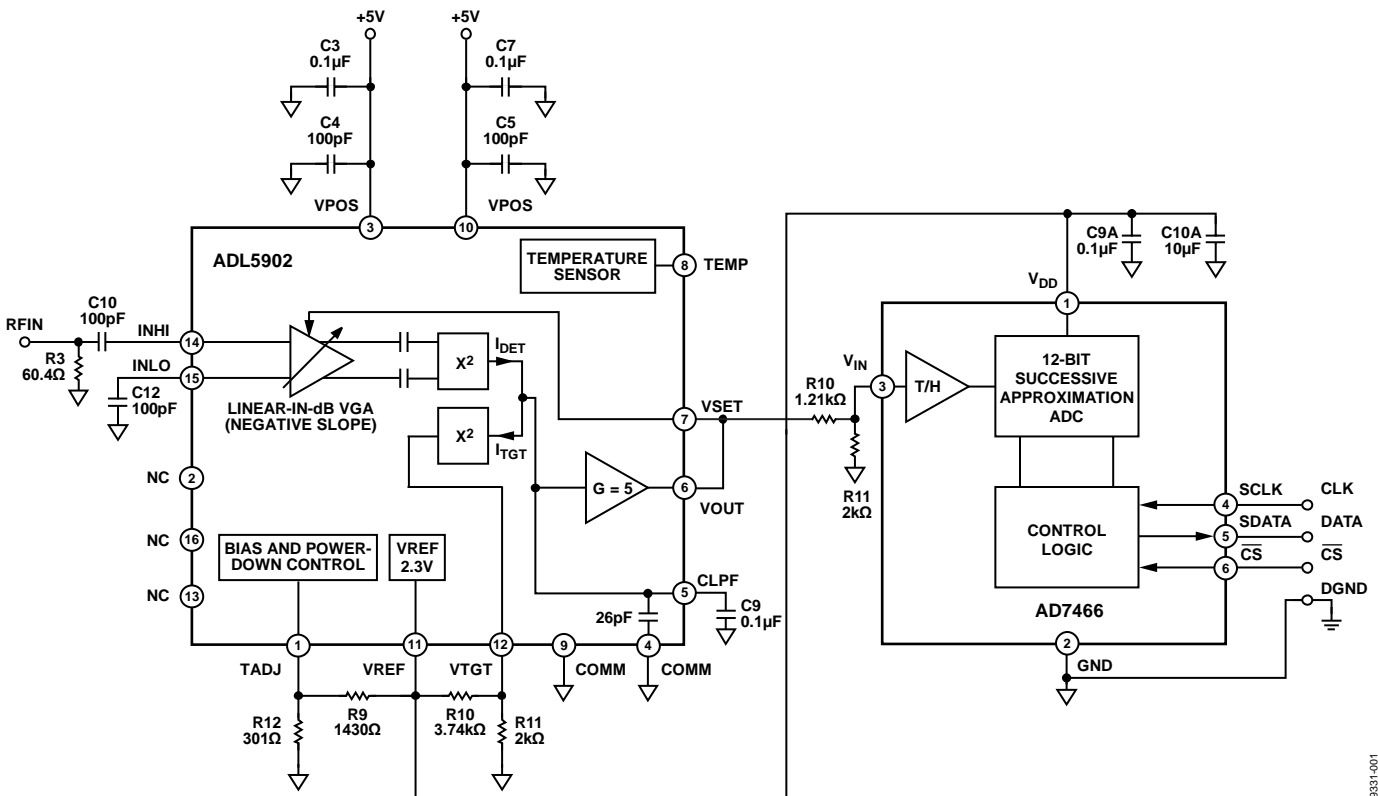


Figure 1. Software-Calibrated RF Power Measurement System

Rev.A

Circuits from the Lab™ circuits from Analog Devices have been designed and built by Analog Devices engineers. Standard engineering practices have been employed in the design and construction of each circuit, and their function and performance have been tested and verified in a lab environment at room temperature. However, you are solely responsible for testing the circuit and determining its suitability and applicability for your use and application. Accordingly, in no event shall Analog Devices be liable for direct, indirect, special, incidental, consequential or punitive damages due to any cause whatsoever connected to the use of any Circuits from the Lab circuits. (Continued on last page)

One Technology Way, P.O. Box 9106, Norwood, MA 02062-9106, U.S.A.
Tel: 781.329.4700 www.analog.com
Fax: 781.461.3113 ©2010–2011 Analog Devices, Inc. All rights reserved.

Data is shown for the two devices operating over a -40°C to $+85^{\circ}\text{C}$ temperature range.

CIRCUIT DESCRIPTION

The RF signal being measured is applied to the input of the ADL5902, a linear-in-dB rms-responding rms detector. The external $60.4\ \Omega$ resistor, R3, combined with the relatively high input impedance of the ADL5902 ensures a broadband $50\ \Omega$ match to the RF input. The ADL5902 is configured in its so-called “measurement mode,” with the VSET and VOUT pins connected together. In this mode the output voltage is proportional to the logarithm of the rms value of the input. In other words, the reading is presented directly in decibels and is scaled to 1.06 V per decade, or 53 mV/dB.

The power supply voltage and reference voltage for the AD7466 12-bit ADC are provided by the ADL5902 internal 2.3 V reference. Because the AD7466 consumes so little current ($16\ \mu\text{A}$ when sampling at 10 kSPS), the ADL5902’s reference voltage output can supply the ADC, as well as the temperature compensating and rms accuracy-scaling network consisting of R9, R10, R11, and R12.

The ADC full-scale voltage is equal to 2.3 V. The maximum detector output voltage (when operating in its linear input range) is approximately 3.5 V (see ADL5902 data sheet figures 6, 7, 8, 12, 13, and 14) and must, therefore, be scaled down by a factor of 0.657 before driving the AD7466. This scaling is implemented using a simple resistor divider R10 and R11 ($1.21\ \text{k}\Omega$ and $2.0\ \text{k}\Omega$). These values provide an actual scaling factor of 0.623, which ensures that the ADL5902 RF detector does not overdrive the ADC by building in some room for resistor tolerance.

A typical plot of detector output voltage vs. input power is shown in Figure 2 (without output scaling).

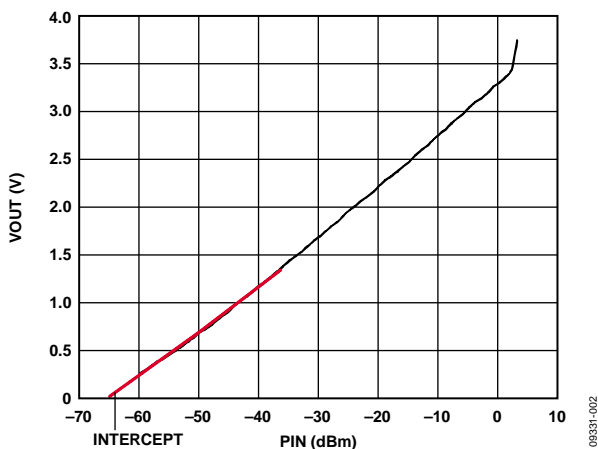


Figure 2. ADL5902 RMS Detector, Output Voltage vs. Input Power @ 900 MHz

The transfer function of the detector can be approximated by the equation

$$VOUT = SLOPE_DETECTOR \times (PIN - INTERCEPT)$$

where *SLOPE_DETECTOR* is in mV/dB; *INTERCEPT* is the x-axis intercept with a unit of dBm; *PIN* is the input power in dBm.

At the output of the ADC, *VOUT* is replaced by the ADC’s output code, and the equation can be rewritten as

$$CODE = SLOPE \times (PIN - INTERCEPT)$$

where *SLOPE* is the combined slope of the detector, the scaling resistors, and the ADC, and has the unit of counts/dB; *PIN* and *INTERCEPT* still have the unit of dBm.

Figure 3 shows a typical detector power sweep in terms of input power and observed ADC output codes for a 700 MHz input signal.

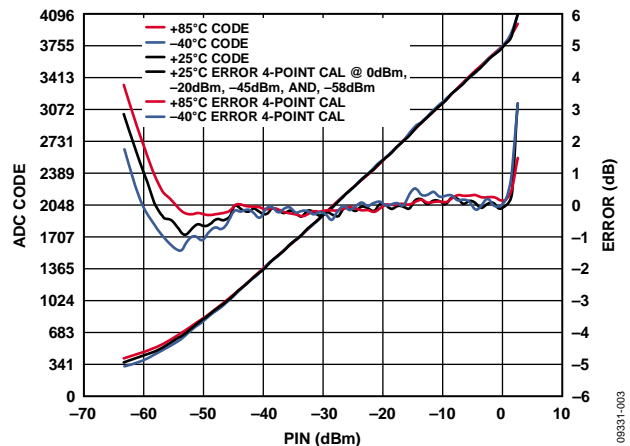


Figure 3. ADC Output Code and Error vs. RF Input Power @ 700 MHz

Overall *SLOPE* and *INTERCEPT* will vary from system to system. This variation is caused by part to part variations in the transfer function of the RF detector, the scaling resistors, and the ADC. As a result, a system level calibration is required to determine the complete system *SLOPE* and *INTERCEPT*. In this application, a 4-point calibration is used to correct for some nonlinearity in the RF detector’s transfer function, particularly at the low end. This 4-point calibration scheme yields three *SLOPE* and three *INTERCEPT* calibration coefficients, which should be stored in nonvolatile RAM (NVM) after calibration.

The calibration is performed by applying four known signal levels to the ADL5902 and measuring the corresponding output codes from the ADC. The calibration points chosen should be within the linear operating range of the device. In this example, calibration points at 0 dBm, -20 dBm, -45 dBm, and -58 dBm were used.

The *SLOPE* and *INTERCEPT* calibration coefficients are calculated using the equations

$$SLOPE1 = (CODE_1 - CODE_2)/(PIN_1 - PIN_2)$$

$$INTERCEPT1 = CODE_1/(SLOPE_ADC \times PIN_1)$$

This calculation is then repeated using *CODE_2/CODE_3* and *CODE_3/CODE_4* to calculate *SLOPE2/INTERCEPT2* and *SLOPE3/INTERCEPT3*, respectively. The six calibration coefficients should then be stored in NVM along with *CODE_1*, *CODE_2*, *CODE_3*, and *CODE_4*.

When the circuit is in operation in the field, these calibration coefficients are used to calculate an unknown input power level, *PIN*, using the equation

$$PIN = (CODE/SLOPE) + INTERCEPT$$

In order to retrieve the appropriate *SLOPE* and *INTERCEPT* calibration coefficients during circuit operation, the observed *CODE* from the ADC must be compared to *CODE_1*, *CODE_2*, *CODE_3*, and *CODE_4*. For example if the *CODE* from the ADC is between *CODE_1* and *CODE_2*, then the *SLOPE1* and *INTERCEPT1* should be used. This step can also be used to provide an underrange or overrange warning. For example, if the *CODE* from the ADC is greater than *CODE_1* or less than *CODE_4*, it indicates that the measured power is outside of the calibration range

Figure 3 also shows the transfer function variation of the circuit vs. the above straight line equations. This error function is caused by bending at the edges of the transfer function, small ripple in the linear operating range, and drift over temperature. The error is expressed in dB using the equation

$$\begin{aligned} \text{Error (dB)} &= \text{Calculated RF Power} - \text{True Input Power} \\ &= (CODE/SLOPE) + INTERCEPT - PIN_TRUE \end{aligned}$$

Figure 3 also includes plots of error vs. temperature. In this case the measured ADC codes at +85°C and -40°C are compared to the straight line equations at ambient. This is consistent with a real world system where system calibration is generally only practical at ambient temperature.

Figure 4 and Figure 5 show the performance of the circuit at 1 GHz and 2.2 GHz, respectively.

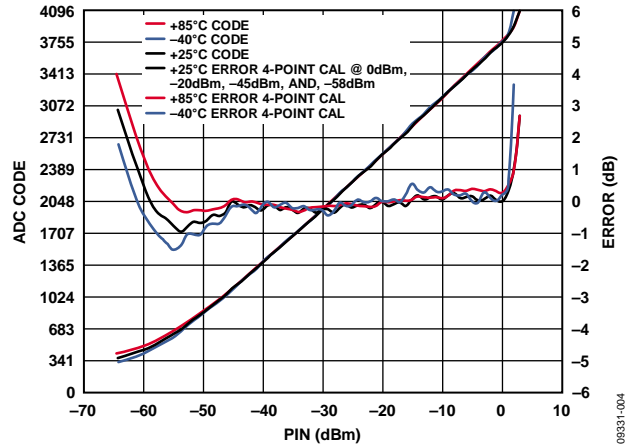


Figure 4. ADC Output Code and Error vs. RF Input Power @ 1 GHz

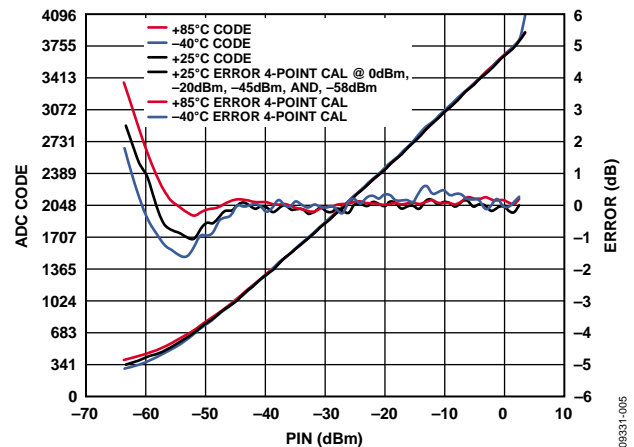


Figure 5. ADC Output Code and Error vs. RF Input Power @ 2.2 GHz

The performance of this or any high speed circuit is highly dependent on proper PCB layout. This includes, but is not limited to, power supply bypassing, controlled impedance lines (where required), component placement, signal routing, and power and ground planes. (See [MT-031 Tutorial](#), [MT-101 Tutorial](#), and article, [A Practical Guide to High-Speed Printed-Circuit-Board Layout](#), for more detailed information regarding PCB layout.)

A complete design support package for this circuit note can be found at www.analog.com/CN0178-DesignSupport.

COMMON VARIATIONS

For applications that require less RF detection range, the [AD8363](#) rms detector can be used. The AD8363 has a detection range of 50 dB and operates at frequencies up to 6 GHz. For non-rms detection applications, the [AD8317/AD8318/AD8319](#) or [ADL5513](#) can be used. These devices offer varying detection ranges and have varying input frequency ranges up to 10 GHz (see [CN-0150](#) for more details).

The AD7466 is a single channel, 12-bit ADC with SPI interface. If the end application requires a multichannel ADC, the dual 12-bit [AD7887](#) can be used. In multichannel applications that require multiple ADC and DAC channels, the [AD7294](#) can be used. In addition to providing four 12-bit DAC outputs, this subsystem chip includes four uncommitted ADC channels, two high-side current sense inputs, and three temperature sensors. Current and temperature measurements are digitally converted and available to read over the I²C-compatible interface.

CIRCUIT EVALUATION AND TEST

This circuit uses the EVAL-CN0178-SDPZ circuit board and the EVAL-SDP-CB1Z System Demonstration Platform (SDP) evaluation board. The two boards have 120-pin mating connectors, allowing for the quick setup and evaluation of the circuit's performance. The EVAL-CN0178-SDPZ board contains the circuit to be evaluated, as described in this note, and the SDP evaluation board is used with the CN0178 evaluation software to capture the data from the EVAL-CN0178-SDPZ circuit board.

Equipment Needed

- PC with a USB port and Windows® XP or Windows Vista® (32-bit), or Windows® 7 (32-bit)
- EVAL-CN0178-SDPZ Circuit Evaluation Board
- EVAL-SDP-CB1Z SDP Evaluation Board
- CN0178 Evaluation Software
- Power supply: +6 V, or +6 V "wall wart"
- Environmental chamber
- RF signal source
- Coaxial RF cable with SMA connectors

Getting Started

Load the evaluation software by placing the CN0178 Evaluation Software disc in the CD drive of the PC. Using "My Computer," locate the drive that contains the evaluation software disc and open the Readme file. Follow the instructions contained in the Readme file for installing and using the evaluation software.

Functional Block Diagram

See Figure 1 of this circuit note for the circuit block diagram, and the file "EVAL-CN0178-SDPZ-SCH-Rev0.pdf" for the circuit schematics. This file is contained in the [CN0178 Design Support Package](#).

Setup

Connect the 120-pin connector on the EVAL-CN0178-SDPZ circuit board to the connector marked "CON A" on the EVAL-SDP-CB1Z evaluation (SDP) board. Nylon hardware should be used to firmly secure the two boards, using the holes provided at the ends of the 120-pin connectors. Using an appropriate RF cable, connect the RF signal source to the EVAL-CN0178-SDPZ board via the SMA RF input connector. With power to the supply off, connect a +6 V power supply to the pins marked "+6 V" and "GND" on the board. If available, a +6 V "wall wart" can be connected to the barrel connector on the board and used in place of the +6 V power supply. Connect the USB cable supplied with the SDP board to the USB port on the PC. Note: Do not connect the USB cable to the mini USB connector on the SDP board at this time.

Test

Apply power to the +6 V supply (or "wall wart") connected to EVAL-CN0178-SDPZ circuit board. Launch the Evaluation software, and connect the USB cable from the PC to the USB mini-connector on the SDP board.

Once USB communications are established, the SDP board can now be used to send, receive, and capture serial data from the EVAL-CN0178-SDPZ board.

The data in this circuit note were generated using a Rohde & Schwarz SMT-03 RF signal source, and an Agilent E3631A power supply. The signal source was set to the frequencies indicated in the graphs, and the input power was stepped and data recorded in 1 dB increments.

Temperature testing was performed using a Test Equity Model 107 environmental chamber. The CN0178-SDPZ evaluation board was placed in the chamber via a slot in the test chamber door, with the SDP evaluation board extending outside.

Information and details regarding how to use the evaluation software for data capture can be found in the CN0178 Evaluation Software ReadMe file.

Information regarding the SDP board can be found in the [SDP User Guide](#).

LEARN MORE

CN0178 Design Support Package:
<http://www.analog.com/CN0178-DesignSupport>
 SDP User Guide

Ardizzoni, John. *A Practical Guide to High-Speed Printed-Circuit-Board Layout*, Analog Dialogue 39-09, September 2005.

CN-0150 Circuit Note, *Software-Calibrated, 1 MHz to 8 GHz, 70 dB RF Power Measurement System Using the AD8318 Logarithmic Detector*, Analog Devices.

MT-031 Tutorial, *Grounding Data Converters and Solving the Mystery of "AGND" and "DGND"*, Analog Devices.

MT-073 Tutorial, *High Speed Variable Gain Amplifiers (VGAs)*, Analog Devices.

MT-077 Tutorial, *Log Amp Basics*, Analog Devices.

MT-078 Tutorial, *High Speed Log Amps*, Analog Devices.

MT-081 Tutorial, *RMS-to-DC Converters*, Analog Devices.

MT-101 Tutorial, *Decoupling Techniques*, Analog Devices.

Whitlow, Dana. *Design and Operation of Automatic Gain Control Loops for Receivers in Modern Communications Systems*. Chapter 8. Analog Devices Wireless Seminar. 2006.

Data Sheets and Evaluation Boards

[CN-0178 Circuit Evaluation Board \(EVAL-CN0178-SDPZ\)](#)
[System Demonstration Platform \(EVAL-SDP-CB1Z\)](#)
[ADL5902 Data Sheet](#)
[ADL5902 Evaluation Board](#)
[AD7466 Data Sheet](#)
[AD7466 Evaluation Board](#)

REVISION HISTORY**3/11—Rev. 0 to Rev. A**

Added Evaluation and Design Support Section..... 1
 Added Circuit Evaluation and Test Section..... 4

10/10—Rev. 0: Initial Version

I²C refers to a communications protocol originally developed by Philips Semiconductors (now NXP Semiconductors).

(Continued from first page) Circuits from the Lab circuits are intended only for use with Analog Devices products and are the intellectual property of Analog Devices or its licensors. While you may use the Circuits from the Lab circuits in the design of your product, no other license is granted by implication or otherwise under any patents or other intellectual property by application or use of the Circuits from the Lab circuits. Information furnished by Analog Devices is believed to be accurate and reliable. However, "Circuits from the Lab" are supplied "as is" and without warranties of any kind, express, implied, or statutory including, but not limited to, any implied warranty of merchantability, noninfringement or fitness for a particular purpose and no responsibility is assumed by Analog Devices for their use, nor for any infringements of patents or other rights of third parties that may result from their use. Analog Devices reserves the right to change any Circuits from the Lab circuits at any time without notice but is under no obligation to do so.

©2010–2011 Analog Devices, Inc. All rights reserved. Trademarks and registered trademarks are the property of their respective owners.
 CN09331-0-3/11(A)



www.analog.com